

NINGBO TIANBO GANGLIAN ELECTRONICS.,LTD

HJQ-13F-1C

SPECIFICATION

FILE NUMBER: T810S-G002A

DATE: 2004/06/25

■ CONTACT DATA

Contact Form	1C	
Contact Material	Silver Alloy	
Contact Ratings	16A240VAC/30VDC	
Max Switching Voltage	250VAC/30VDC	
Max Switching Current	20A	
Max Switching Power	4000VA/480 W	
Contact Resistance	100m Ω Max	at 6VDC 1A
Life Expectancy Electrical	100, 000	Operations(at30Operations/minute)
Mechanical	10, 000, 000	Operations

■ GENERAL DATA

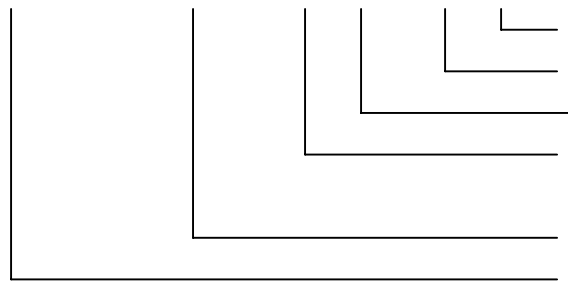
Insulation Resistance	100M Ω Min at 500VDC	
Dielectric Strength Between Open Contacts	1000VAC(for one minute)	
Between Contacts and coil	1500VAC(for one minute)	
Operate Time	25ms	
Release Time	25ms	
Temperature Range	-40°C to +70°C	
Shock Resistance	Operating Extremes	20G
	Damage Limits	100G
Vibration Resistance	10-55Hz, 1.5mm	
Humidity	40-85%	
Weight	Approx. 35g	
Safety Standard	CSA:203664	

■ COIL DATA

Nominal Voltage		Coil Resistance at 20°C \pm 10% (Ω)		Max Operate Voltage		Min Release Voltage		Max Applicable Voltage	
		VDC	VAC	VDC	VAC	VDC	VAC	VDC	VAC
5-110VDC	6-240VAC	0.9W	1.2VA						
5	6	28	11.5	3.75	4.8	0.5	1.8	6.5	7.8
6	12	40	46	4.5	9.6	0.6	3.6	7.8	15.6
12	24	160	184	9	19.2	1.2	7.2	15.6	31.2
24	48	640	735	18	38.4	2.4	14.4	31.2	62.4
48	120	2560	4550 \pm 15%	36	96	4.8	36	62.4	156
110	220/240	13450	14400 \pm 15%	82.5	176	11	39.6	143	286/312

ORDERING CODE

HJQ-13F—12VDC—1Z (P)—F—D



With LED

With Flange for 38mm pitch hole

P: PCB Type Nil: B Type

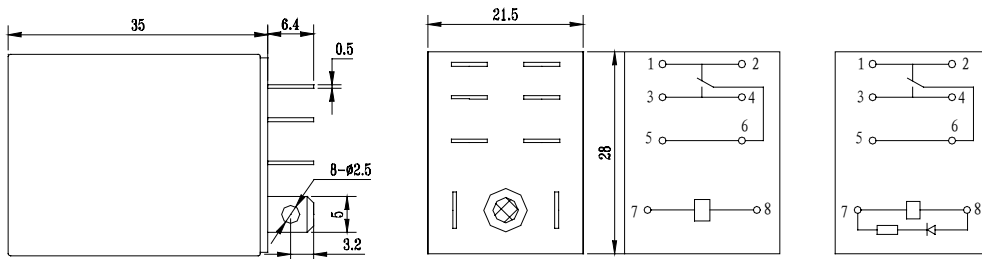
1Z form 1C

Coil Nominal Voltage

Relay Model

OVERALL AND MOUNTING DIMENSIONS

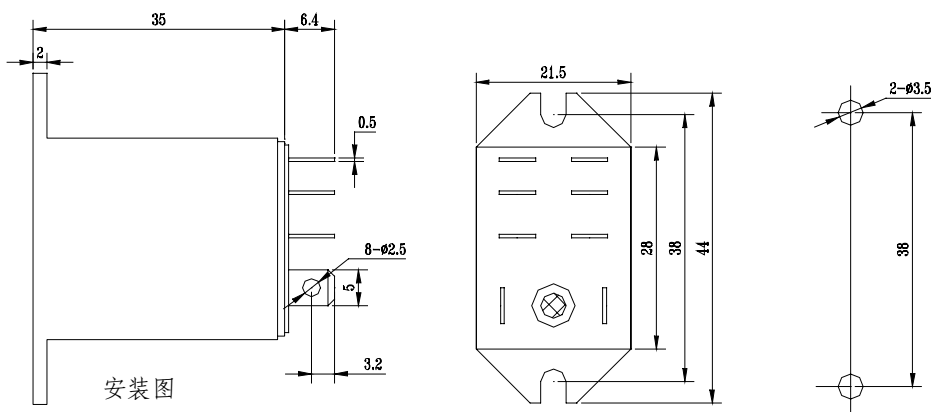
安装图



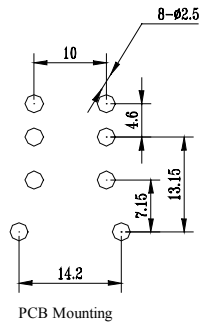
接线图

1ZD

安装图
安装型外壳 (F型)



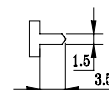
安装图



PCB Mounting



B 型



P 型